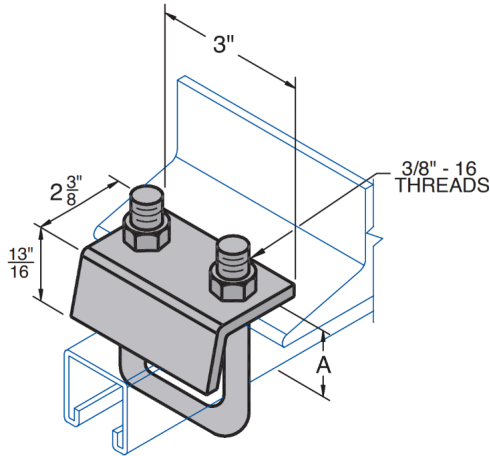


BEAM CLAMP

AS-2651-T1 and AS-2651-T2



General Specification

MATERIAL	Hot Rolled Steel Sheet, Cold Rolled Steel Sheet, Stainless Steel Type 304/316, or Malleable Cast Iron
FINISH	Electrogalvanized, Hot-Dipped Galvanized, Zinc Trivalent Chromium, Powder Coated Supr-Green, or PVC Coating
QUANTITY	1 Clamp
FOR USE WITH	1 5/8" Channels or Threaded Rod

Design, dimensions, and materials are subject to change without notice.

Dimensional Data

PART NUMBER	A	WEIGHT/100 PIECES
AS-2651-T1	3"	89
AS-2651-T2	5"	92