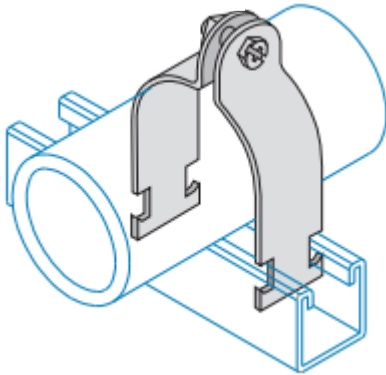


RIGID STRUT CLAMPS

Overview | RIGA



DESCRIPTION

- Steel meets or exceeds the physical properties of ASTM A1011 GR

Material & Finish Combinations

MATERIAL	PART NUMBER SUFFIX	PIPE CLAMP MATERIAL	FASTENERS MATERIAL
Electro-galvanized	-EG	EG	EG
Hot-Dip Galvanized	-HD	HD	HD
Stainless Steel 304	-SS4	SS4	SS4
Stainless Steel 316	-SS6	SS6	SS6
Aluminum	-AL	AL	AL

Specifications

PART NUMBER	CONDUIT SIZE	OD SIZE	GAUGE (THICKNESS)	FINISH	WEIGHT PER PIECE
RIGA38EG	3/8"	0.675"	16 (1.5)	Electro-Galvanized	0.10 lbs
RIGA38HD				Hot-Dip Galvanized	
RIGA38SS4				Stainless Steel 304	
RIGA38SS6				Stainless Steel 316	
RIGA38AL				Aluminum	
RIGA12EG	1/2"	0.840"	16 (1.5)	Electro-Galvanized	0.11 lbs
RIGA12HD				Hot-Dip Galvanized	
RIGA12SS4				Stainless Steel 304	
RIGA12SS6				Stainless Steel 316	
RIGA12AL				Aluminum	
RIGA34EG	3/4"	1.050"	14 (1.9)	Electro-Galvanized	0.15 lbs
RIGA34HD				Hot-Dip Galvanized	
RIGA34SS4				Stainless Steel 304	
RIGA34SS6				Stainless Steel 316	
RIGA34AL				Aluminum	

RIGID STRUT CLAMPS | RIGA

Specifications

PART NUMBER	CONDUIT SIZE	OD SIZE	GAUGE (THICKNESS)	FINISH	WEIGHT PER PIECE
RIGA1EG	1"	1.315"	14 (1.9)	Electro-Galvanized	0.17 lbs
RIGA1HD				Hot-Dip Galvanized	
RIGA1SS4				Stainless Steel 304	
RIGA1SS6				Stainless Steel 316	
RIGA1AL				Aluminum	0.06 lbs
RIGA114EG	1¼"	1.660"	14 (1.9)	Electro-Galvanized	0.19 lbs
RIGA114HD				Hot-Dip Galvanized	
RIGA114SS4				Stainless Steel 304	
RIGA114SS6				Stainless Steel 316	
RIGA114AL				Aluminum	0.07 lbs
RIGA2EG	2"	2.375"	12 (2.7)	Electro-Galvanized	0.34 lbs
RIGA2HD				Hot-Dip Galvanized	
RIGA2SS4				Stainless Steel 304	
RIGA2SS6				Stainless Steel 316	
RIGA2AL				Aluminum	0.12 lbs
RIGA212EG	2½"	2.875"	12 (2.7)	Electro-Galvanized	0.40 lbs
RIGA212HD				Hot-Dip Galvanized	
RIGA212SS4				Stainless Steel 304	
RIGA212SS6				Stainless Steel 316	
RIGA212AL				Aluminum	0.14 lbs
RIGA3EG	3"	3.500"	12 (2.7)	Electro-Galvanized	0.47 lbs
RIGA3HD				Hot-Dip Galvanized	
RIGA3SS4				Stainless Steel 304	
RIGA3SS6				Stainless Steel 316	
RIGA3AL				Aluminum	0.16 lbs
RIGA312EG	3½"	4.000"	11 (3.0)	Electro-Galvanized	0.62 lbs
RIGA312HD				Hot-Dip Galvanized	
RIGA312SS4				Stainless Steel 304	
RIGA312SS6				Stainless Steel 316	
RIGA312AL				Aluminum	0.21 lbs

RIGID STRUT CLAMPS | RIGA

Specifications

PART NUMBER	CONDUIT SIZE	OD SIZE	GAUGE (THICKNESS)	FINISH	WEIGHT PER PIECE
RIGA4EG	4"	4.500"	11 (3.0)	Electro-Galvanized	0.67 lbs
RIGA4HD				Hot-Dip Galvanized	
RIGA4SS4				Stainless Steel 304	
RIGA4SS6				Stainless Steel 316	
RIGA4AL				Aluminum	0.22 lbs
RIGA5EG	5"	5.563"	11 (3.0)	Electro-Galvanized	0.80 lbs
RIGA5HD				Hot-Dip Galvanized	
RIGA5SS4				Stainless Steel 304	
RIGA5SS6				Stainless Steel 316	
RIGA5AL				Aluminum	0.27 lbs
RIGA6EG	6"	6.625"	10 (3.4)	Electro-Galvanized	1.02 lbs
RIGA6HD				Hot-Dip Galvanized	
RIGA6SS4				Stainless Steel 304	
RIGA6SS6				Stainless Steel 316	
RIGA6AL				Aluminum	0.35 lbs
RIGA8EG	8"	8.625"	10 (3.4)	Electro-Galvanized	1.30 lbs
RIGA8HD				Hot-Dip Galvanized	
RIGA8SS4				Stainless Steel 304	
RIGA8SS6				Stainless Steel 316	
RIGA8AL				Aluminum	0.40 lbs